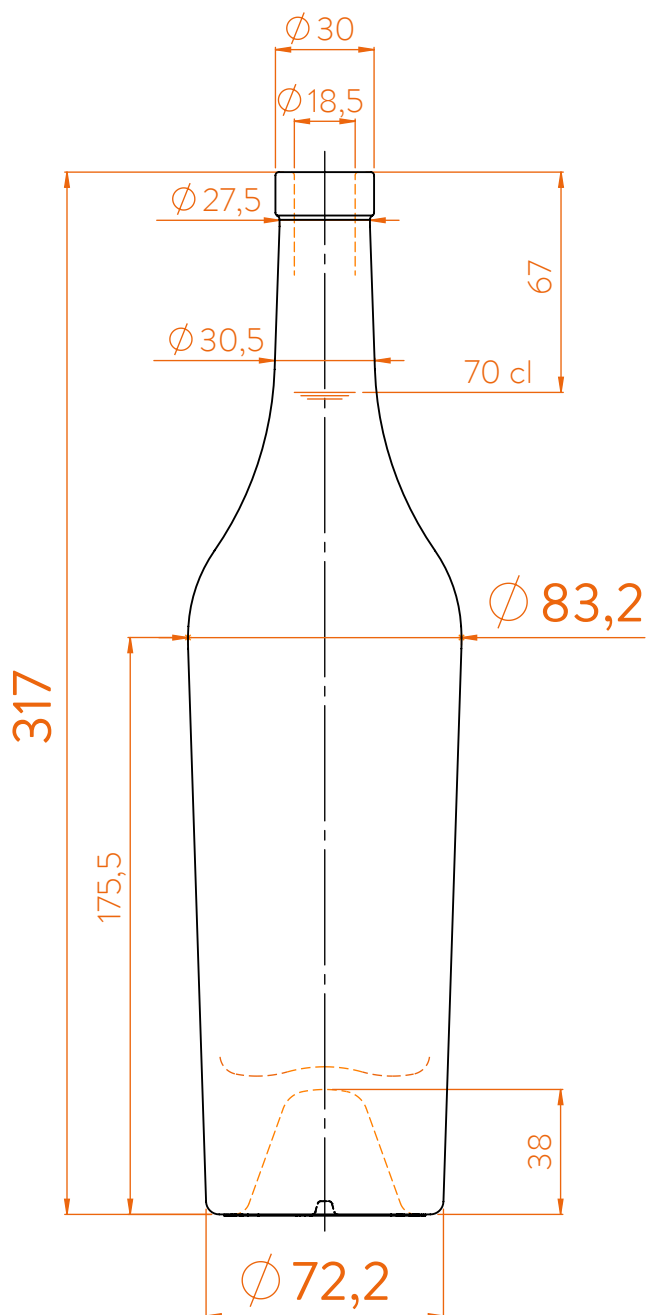


# DA ATLAS<sup>®</sup>

# estal

www.estal.com  
+ 34 972 821 676



Modelo registrado/  
Registered model/  
Modèle enregistré/



- EXTRAFLINT
- FLINT WILD GLASS
- DARK WILD GLASS



## DATOS TÉCNICOS TECHNICAL DATA DONNÉES TECHNIQUES

<b>Peso / Weight / Poids</b>	800 gr
<b>Altura total / Total height / Hauteur totale</b>	317 mm
<b>Diámetro del cuerpo / Body diameter / Diamètre du corps</b>	72,2/83,2 mm
<b>Ø interno boca / Ø inner mouth / Ø intérieur bouche</b>	18,5 mm
<b>Capacidad a verter / Brimfull / Capacité ras-bord</b>	721 ml

## 70 cl

At first the DA ATLAS range is proposed in 70/50 cl.  
Following business opportunities, other sizes (from miniature 5cl to big size 300cl) will be added to the range.

The elements detailed in this document are not contractual. They are only indicative.